

Woda-Pure Edition



Woda-Pure Edition

Hygienic Water for your Home





Issue

- **Particles - sand, rust, sediment:** Blockage of valves, unpleasant appearance, blockage of membrane filters
- **Chlorine:** Unpleasant taste and odour
- **Bacteria and protozoa:** Health problems
- **Limescale:** Tea and coffee look cloudy and unappealing to drink. Kettles and coffee machines scale up
- **Heavy metals – lead and copper:** Health problems





Woda-Pure Range





Woda-Pure S-F1/S-F5



Problem:

- Too many particles in the raw water
- Fast blockage of the ultrafiltration membrane and other Woda-Pure filters like Woda-Pure S/C, V/C or Woda-Pure Clear
- Blockage of valves

Solution:

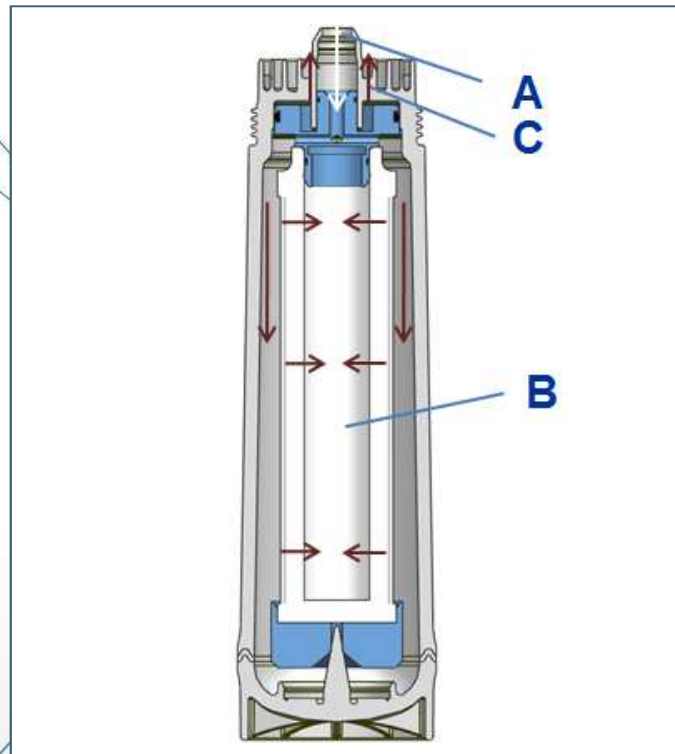
- Woda-Pure S-F1/S-F5
- Woda-Pure S-F1 and S-F5 used for the removal of particles > 1 µm (F1) and > 5 µm (F5)

The filters are used as prefilters in combination with:

- Woda-Pure S/XL - CUF or
- Woda-Pure or V-C and/or
- Woda-Pure S-UF



Woda-Pure S-F1/S-F5



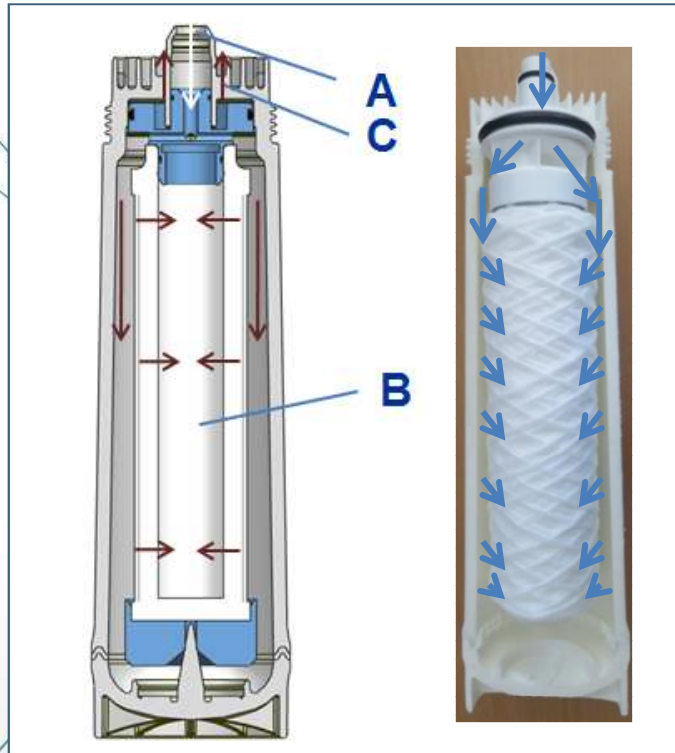
- A Inlet tap water
- B Particle Filter F1→ 1 µm / F5→ 5 µm
- C Outlet filtered water

Technical Data

Capacity:	depending on the Inlet water
Flow rate:	up to 200 L/h
Pressure:	Max. 8 bar
Replacement interval:	6 months
Water temperature:	max. 30 °C
Ambient temperature:	max. 40 °C



Woda-Pure S-F1/S-F5



If particles are smaller than $5\mu\text{m}$ or $1\mu\text{m}$, they can pass the filter.

The filter itself will never give up something to the water.

The materials are NSF proofed



Woda-Pure S-C/V-C



Problem:

- Raw water with bad odours
- Taste impairing substances (chlorine)
- Particular organic substances (herbicides, insecticides)

Solution:

- Woda-Pure S-C and Woda-Pure S-V with granular activated carbon
- Removal of bad odours and taste impairing substances
- Removal of particular organic substances (herbicides, insecticides)



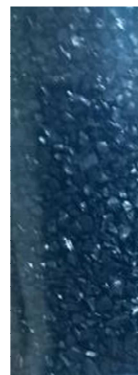
Woda-Pure S-C/V-C



Technical Data	S	V
Capacity:	12.000 L	40.000 L
Flow rate:	up to 200 L/h	
Pressure:	8 bar	
Replacement interval:	6 months	
Water temperature:	max. 30 °C	
Ambient temperature:	max. 40 °C	



Woda-Pure S-C/V-C



If particles are smaller than $5\mu\text{m}$ they can pass the filter.

The filter has to be flushed 5 - 10 l at start up (installation) (approx. 1 min.)

The flush has to be intermittently done (to bring out all small particles)

The materials are NSF / TÜV SÜD proofed



WODAPURE S-UF



Problem:

Raw water contaminated with bacteria and protozoa

Solution:

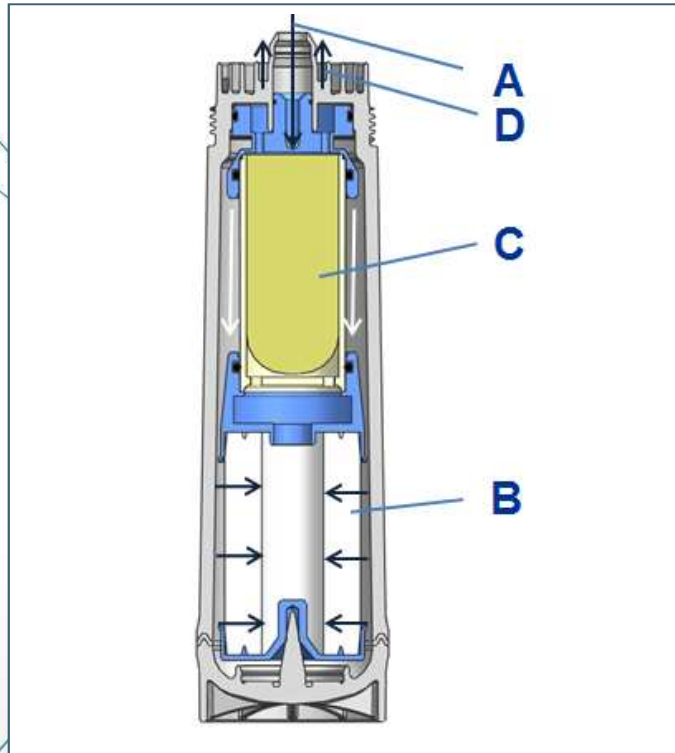
- WODAPURE S-UF
- With a hollow fiber ultrafiltration membrane
- Removal of bacteria and protozoa

The filters can be combined with:

- Woda-Pure S-F1 when the water contains a lot of particles in order to protect the membrane from blockage
- Woda-Pure S-C and Woda-Pure V-C when the water also contains bad odours, taste impairing substances and/or particular organic substances (herbicides, insecticides)



Woda-Pure S-UF

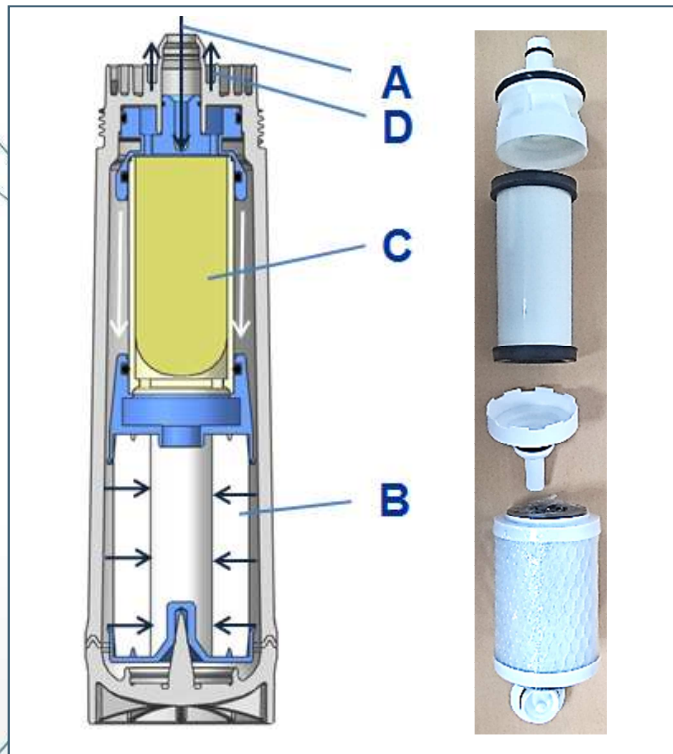


- A Inlet tap water
- B Particle Filter (20 µm)
- C Hollow fiber ultrafiltration membrane
- D Outlet filtered water

Technical Data	S
Capacity:	12.000 L
Flow rate:	up to 200 L/h
Pressure:	Max. 8 bar
Replacement interval:	6 months
Water temperature:	max. 30 °C
Ambient temperature:	max. 40 °C



Woda-Pure S-UF/V-UF



The filter has to be flushed 5 - 10 l (approx. 1 min.)

To bring the air quicker about of the cartridge , an over head flush will help.

The flush has to be intermittently done

It doesn't work well with press less taps. (the water flow doesn't stop immediately)

The materials are NSF / TÜV SÜD proofed



Woda-Pure S-CUF/XL-CUF



Problem:

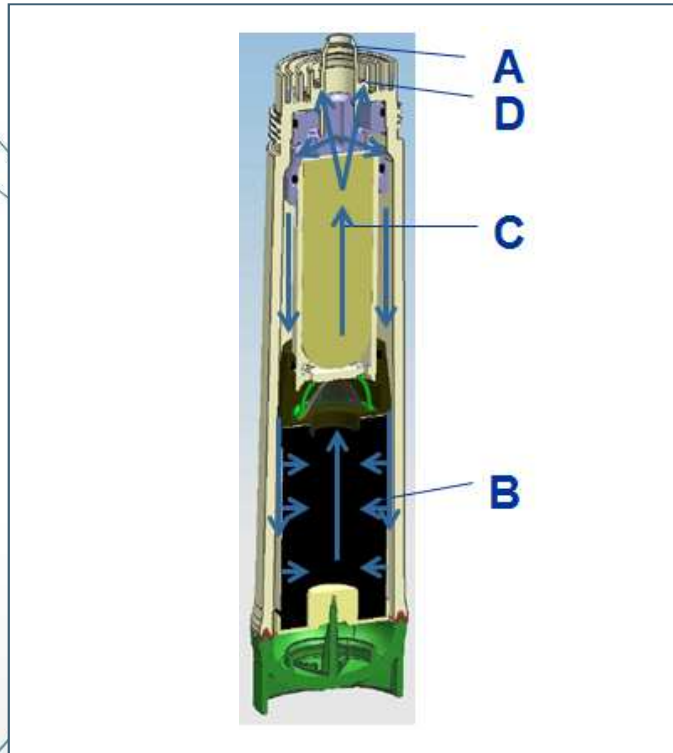
- Raw water with bad odours
- Taste impairing substances (chlorine)
- Particular organic substances (herbicides, insecticides)
- Contamination with bacteria and protozoa

Solution:

- Woda-Pure S-CUF and XL-CUF with a combination of activated carbon block and hollow fiber ultrafiltration membrane
- Removal of bad odours and taste impairing substances
- Removal of particular organic substances (herbicides, insecticides)
- Removal of bacteria and protozoa



Woda-Pure S-CUF



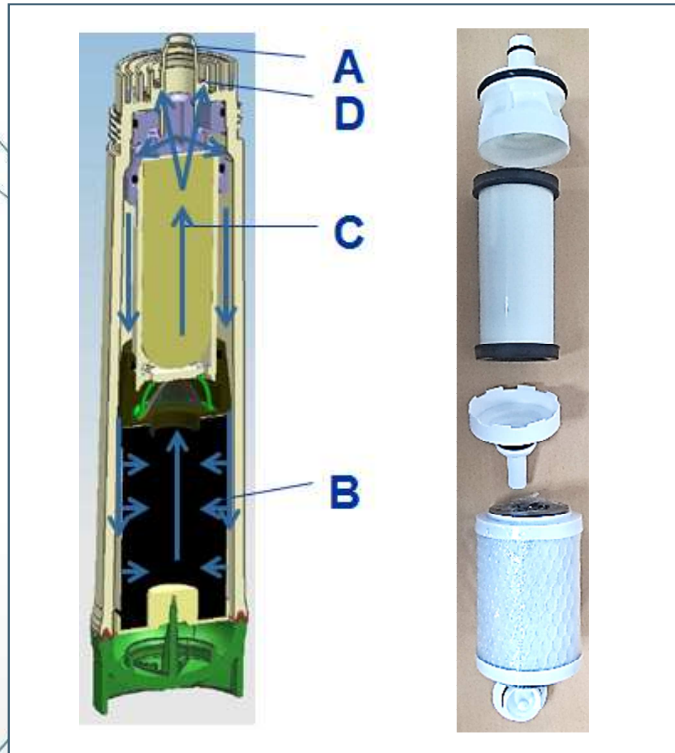
- A Inlet tap water
- B Activated carbon block
- C Hollow fiber ultrafiltration membrane
- D Outlet filtered water

Technical Data

Capacity:	12.000 L
Flow rate:	up to 200 L/h
Pressure:	Max. 8 bar
Replacement interval:	6 months
Water temperature:	max. 30 °C
Ambient temperature:	max. 40 °C



Woda-Pure S-CUF



The filter has to be flushed 5 - 10 l (approx. 1 min.)

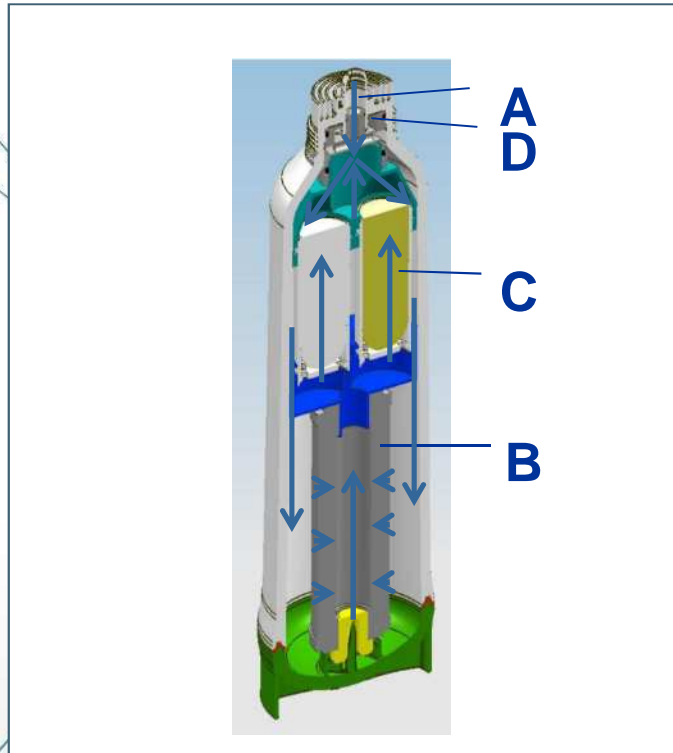
To bring the air quicker about of the cartridge , an over head flush will help. The flush has to be intermittently done

It doesn't work well with press less taps. (the water flow doesn't stop immediately)

The materials are NSF / TÜV SÜD proofed



Woda-Pure XL-CUF



- A inlet tap water
- B activated carbon block
- C hollow fiber ultrafiltration membrane
- D outlet filtered water

Technical Data

Capacity:	40.000 L
Flow rate:	up to 200 L/h
Pressure:	Max. 8 bar
Replacement interval:	6 months
Water temperature:	max. 30 °C
Ambient temperature:	max. 40 °C



Woda-Pure Clear Mineralizer

Magnesium Water for your Home

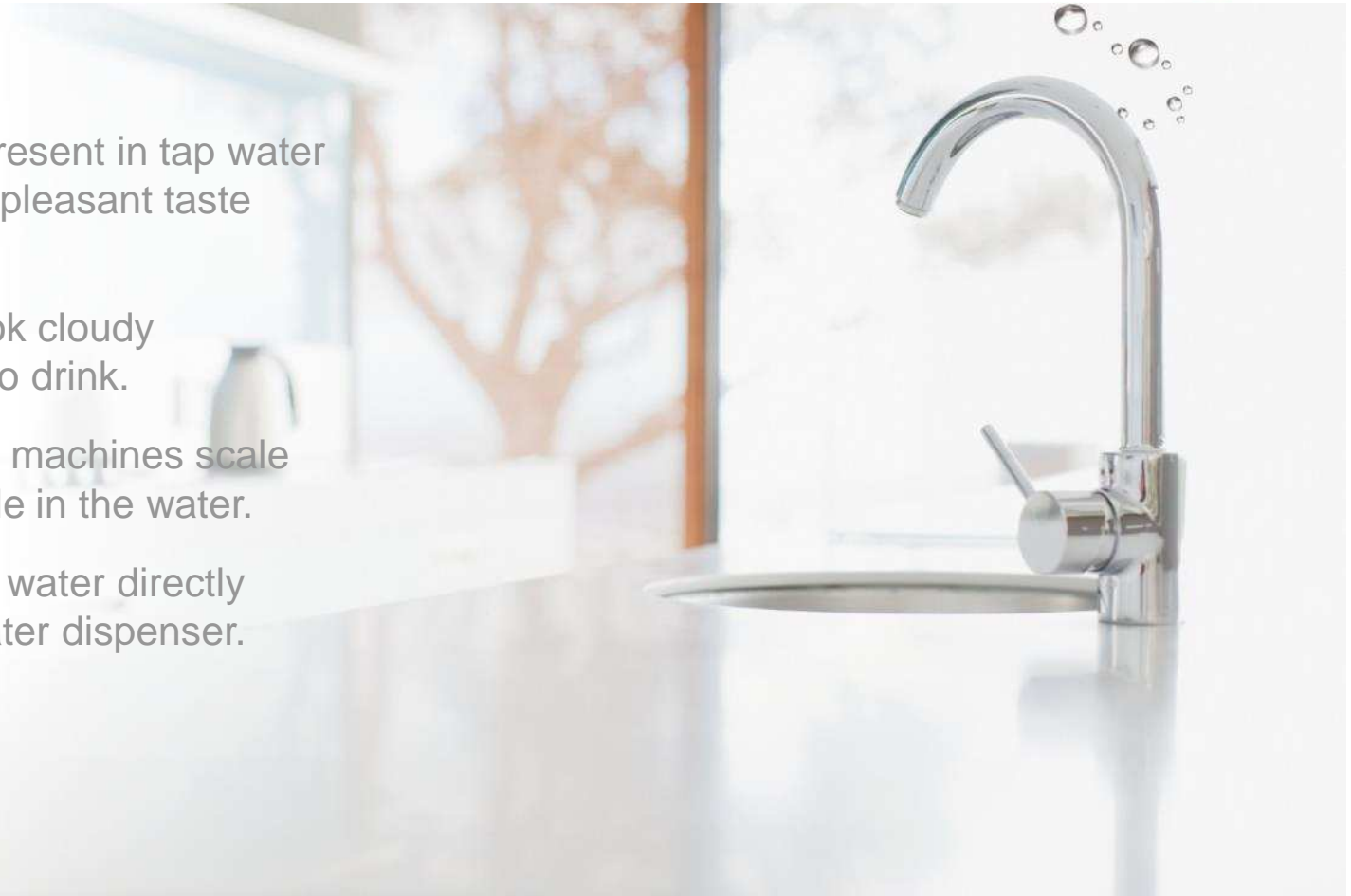


For You and Planet Blue. |  **BWT**



Issue

- Chlorine can be present in tap water and provide an unpleasant taste and odour.
- Tea and coffee look cloudy and unappealing to drink.
- Kettles and coffee machines scale up due to limescale in the water.
- A tasteful drinking water directly from the tap or water dispenser.





5-Steps water filtration:

1

Pre-filtration

- For particles, e.g. sand, grit, rust

2

Activated carbon pre-filtration

- For protection of the ion exchanger

3

High-performance ion exchanger

- Limescale protection
- Essential **mineral magnesium** is added to the water
- Reduces heavy metals such as copper, lead, zinc and nickel

4

Activated carbon filtration

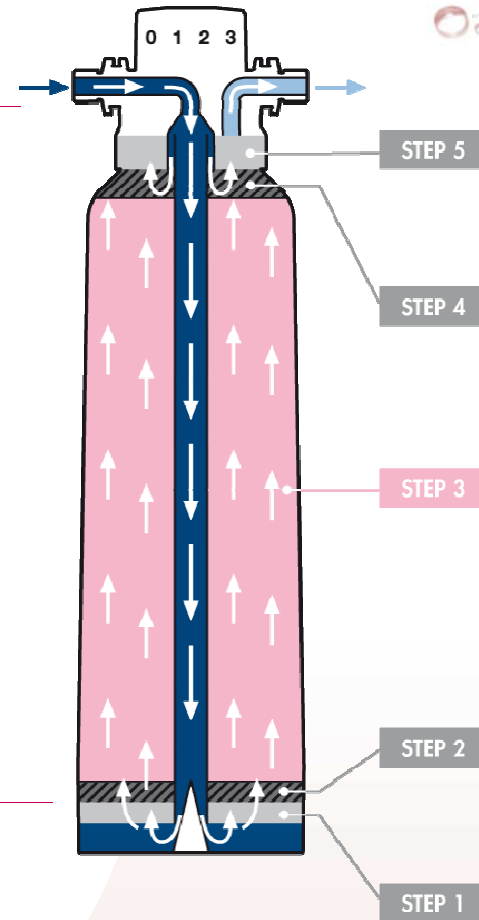
- Eliminates unpleasant taste and odour, e.g. chlorine from the bypass water

5

Fine filtration

- Captures even the finest particles

The result is clean and tasty water!





Woda-Pure Clear Mineralizer S / V / M / XL



Problem:

Limescale, taste

Solution:

- Woda-Pure Clear Mineralizer S / V / M / XL
- For limescale protection
- Mineralization of the water with magnesium

The filters can be combined with:

- Woda-Pure S-F when the water contains a lot of particles in order to protect the Filter from blockage
- Woda-Pure S/V-C when the water also contains bad odours, taste impairing substances and/or particular organic substances
- Woda-Pure S-UF / CUF as an hygienic bacteria protection



Woda-Pure Clear Mineralizer S / V / M / XL



Technical Data	S	V	M	XL
Capacity (14° TdH):	340 l	850 l	1.300 l	2.000 l
Flow rate:		max. 200 /h		
Pressure:		max. 8 bar		
Replacement interval:		6 months		
Water temperature:		max. 30 °C		
Ambient temperature:		max. 40 °C		

Capacity is always link to total hardness



Woda-Pure Clear Mineralizer S / V / M / XL



The total hardness of the raw water have to be measured always before filter installation and replacement.

Bypass Setting and capacity have to be check after every filter change

The filter has to be flushed 5 - 15 l – it depends of the filter size (approx. 1 min.)

Mg²⁺ release is always link to the calcium.
Less Calcium concentration → lower Mg²⁺ release
More Calcium concentration → higher Mg²⁺ release

Mg²⁺ release 5 – 40 mg/l

The materials are NSF / TÜV SÜD proofed



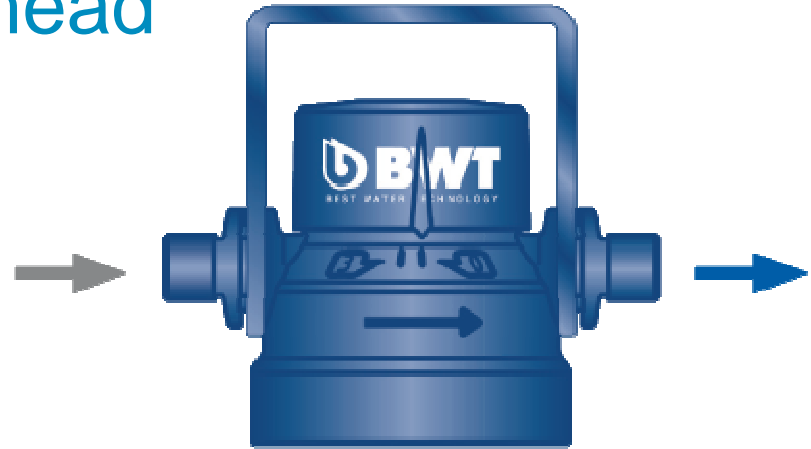


Woda-Pure Clear Mineralizer S / V / M / XL



Total Hardness in °dH	Bypass setting	Filter capacity in litres			
		S	V	M	XL
<= 6	3	1200	2500	3800	6100
7 - 12	3	600	1400	2100	3300
13 - 18	3	340	850	1300	2000
19 - 25	3	240	630	920	1500
26 - 29	2	150	400	580	1140
>=30	2	130	330	490	880

Woda-Pure head



Removal of particles > 1 µm

Woda-Pure S-F1

Removal of particles > 5 µm

Woda-Pure S-F5

Removal of bad odours and taste-impairing substances

Woda-Pure S-C
Woda-Pure V-C

Removal of bacteria and protozoa

Woda-Pure S-UF

Removal of bacteria and protozoa, bad odours and taste-impairing substances

Woda-Pure S-CUF
Woda-Pure XL-CUF