

POU Filters

Emile Berries

April 2020





Agenda

- Multiblock X
- Protector Point of entry filter
- E1 Point of entry filter



MultiBlock X



Multiblock X

- Integrated bypass – **NO** additional bypass pipe needed!
- Short installation length
- Available in two sizes DN25/32
- High quality red brass valve



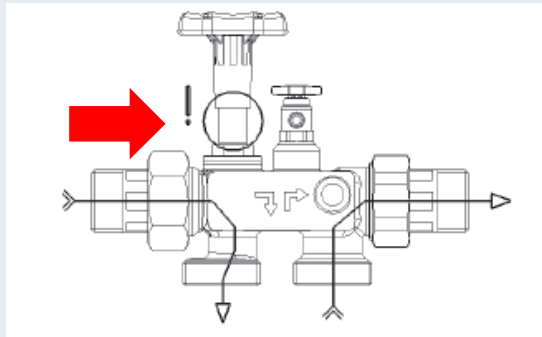
R 2250,00

Can be used with:
AQA Perla/XL, AQA Life, Bewamat 25A/75A,
Multi C/S/G/AS/HM, AQA Total 2500 etc.

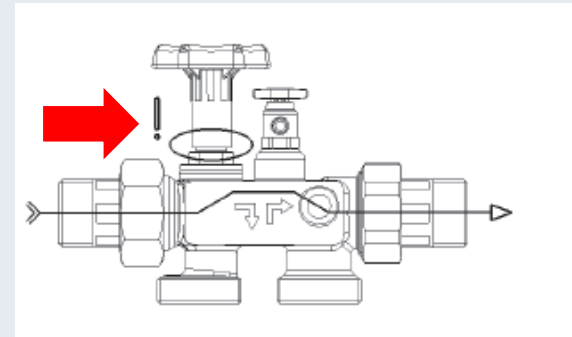
Operation

Multiblock X

Softener setting (open)



Bypass setting (closed)



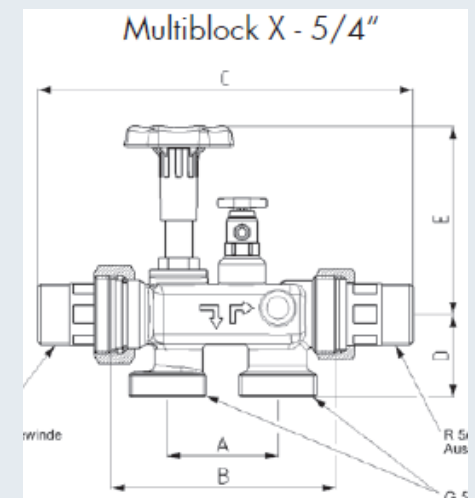
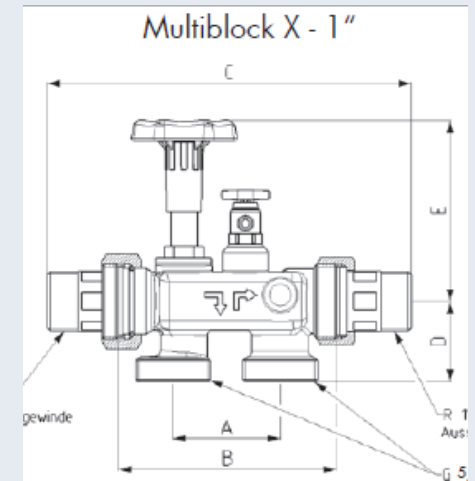
*Note the length of the spindle

Multiblock X specifications



Multiblock X – Technical details

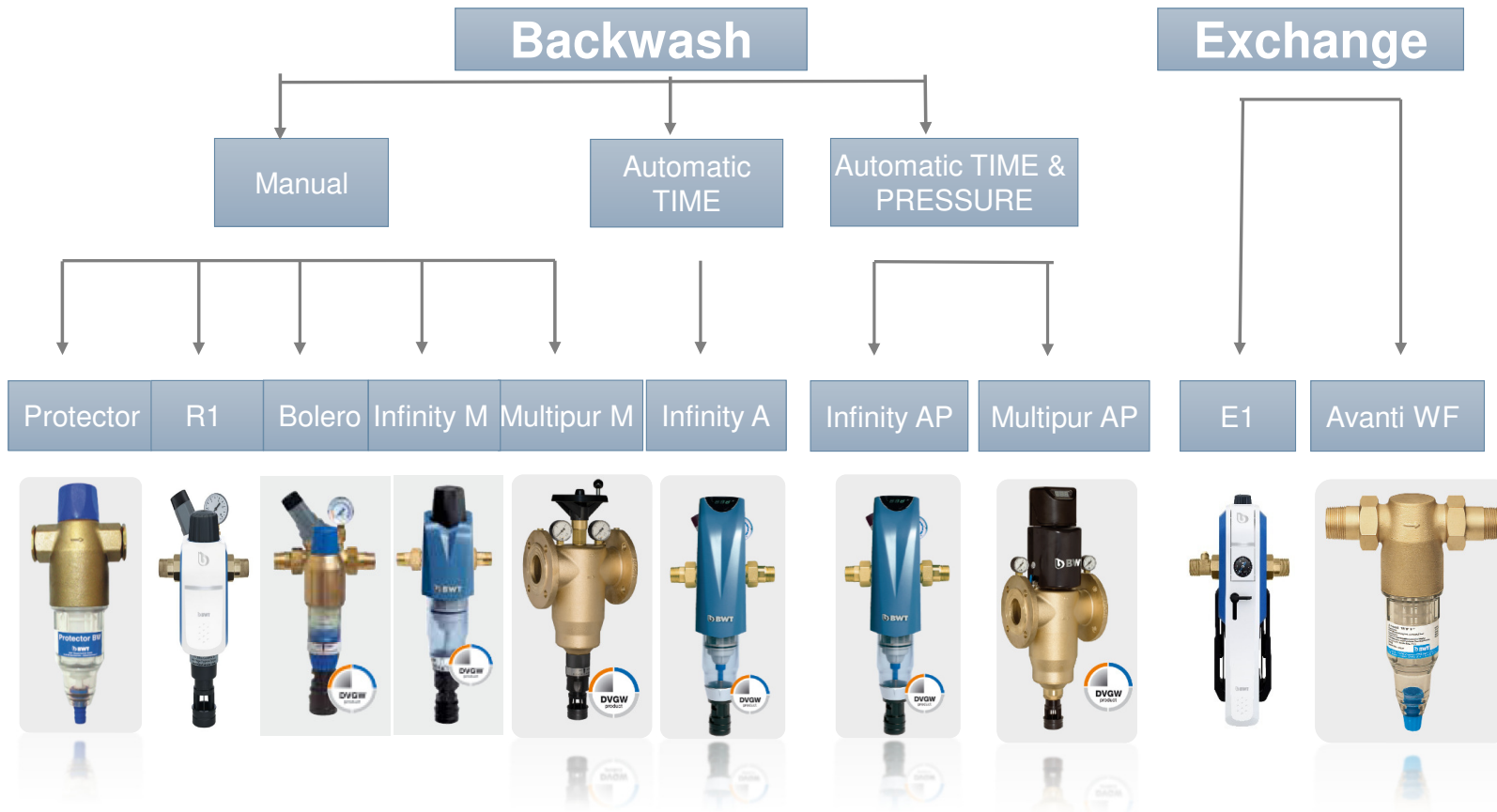
		1"	1 1/4"
Connection width	DN	25	32
Nominal pressure (PN)	bar	10	10
Nominal flow rate at $\Delta p = 0,2$ bar	m ³ /h	1,45	2,4
Water temperature max.	°C	30	30
Ambient temperature max.	°C	40	40
A – Connection width	mm	60	60
B – Installation length without threads	mm	122	122
C – Installation length with threads	mm	204	218
D – pipe centre to connection	mm	45	45
E – pipe centre to hand wheel (opened)	mm	101	101



This is
HISTORY
if using a
BWT
Multiblock
X



BWT Point of Entry Filters





Protector & E1

Installation Examples



H2O East London





E1 Single-lever Filter





For You and Planet Blue.

E1 Single-Lever Filter

- Functional with cutting-edge design
- Unique in the world
- For top quality drinking water
- More hygienic, convenient and reliable
- Hygienic vault can be changed in a matter of seconds



R 5500,00

Product Features



- NO drain water connection necessary
- Manufactured according to HACCP standard
- Automatic water shut-off in both directions
- NO splashing of water
- Most hygienic filter exchange
- Available with and without pressure reducer

BWT E1 Filter	Typ	EHF ¾" (1")	EHF ¾" (1")	HWS ¾"	HWS 1"
Nominal width	DN	20	20	20	25
Swivel nut thread	H	¾" (and 1")	¾" (and 1")	G 1 ¼"	G 1 ¼"
Admission width	µm	30-35	90-110	90-110	90-110
Flow rate at Δp = 0,2 bar**	m³/h	1,6	1,6	-	-
Flow rate at Δp = 0,5 bar**	m³/h	2,3	2,3	-	-
Flow rate with reducing valve*	m³/h	-	-	2,3	3,6
Output pressure after pressure reducing valve	bar	-	-	2,6	2,6
Nominal pressure	bar	16	16	16	16
Operating pressure, min./max.	bar	2/16	2/16	2/16	2/16
Water temperature, min./max.	°C	5/30	5/30	5/30	5/30
Ambient temperature, min./max.	°C	5/40	5/40	5/40	5/40
Overall length without fitting	A mm	100	100	100	100
Overall length with fitting	B/B1 mm	185	185	197	199
Total height E1 EHF/HWS incl. hygienic vault	C/C1 mm	550	550	567	567
Total height E1 EHF/HWS	D/D1 mm	381	381	398	398
Minimum distance pipe centre to floor	E mm	480	480	480	480
Installation mass pipe centre to wall	mm	80-120	80-120	80-120	80-120
Approx. operating weight	kg	3,5	3,5	4,0	4,0

How does it work?



Unlock



Lift



Change





Protector BW



Protector BW

- Manual backwash filter
- Low operating and investment costs
- For drinking & service water



R 2200,00

Product Features

- comfortable mounting with threads
- Compact design
- nominal pressure 16bar (232psi)
- connection 3/4"
- flow rate 3 – 3.5 m³/h
- high filtration capacity at low pressure loss
- rotating wiper backwash system
- 30µm filter element available



Why you need a POE filter?



bwt.com



Thank you !

